

MINI DIGITAL HEIGHT GAGES

DATA
OUTPUT

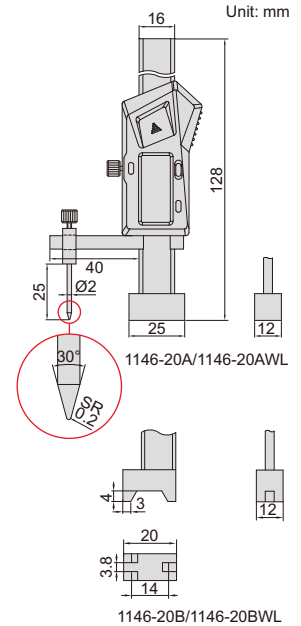
- Measure height difference of two surfaces (1146-20B, 1146-20BWL suitable for surfaces with barrier, such as rivet)
- Resolution: 0.01mm/0.0005"
- Buttons: on/off, zero, mm/inch
- Automatic power off, move the digital unit to turn on power
- Battery CR2032
- Made of stainless steel



1146-20A



1146-20B



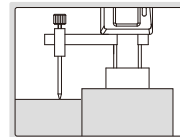
With data interface (data output cable code 7315-21, 7302-21, optional)

| Code | Range | Accuracy |
|----------|-----------------|----------|
| 1146-20A | 0~±20mm/0~±0.8" | ±0.02mm |
| 1146-20B | 0~±20mm/0~±0.8" | ±0.02mm |

Built-in wireless (receiver code 7315-2/3/6/7/8 is required)

| Code | Range | Accuracy |
|------------|-----------------|----------|
| 1146-20AWL | 0~±20mm/0~±0.8" | ±0.02mm |
| 1146-20BWL | 0~±20mm/0~±0.8" | ±0.02mm |

application of
1146-20A/1146-20AWL



application of
1146-20B/1146-20BWL

